



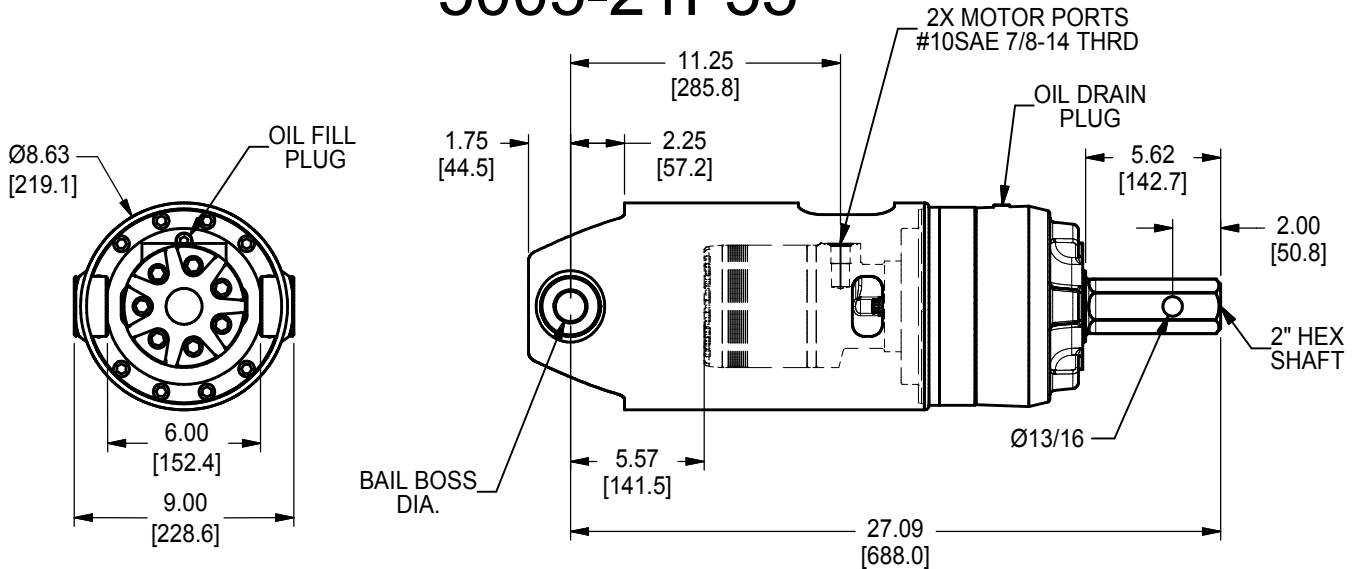
# D50 Series DiggerDrive™

## 1,500 TO 5,000 FT-LB TORQUE

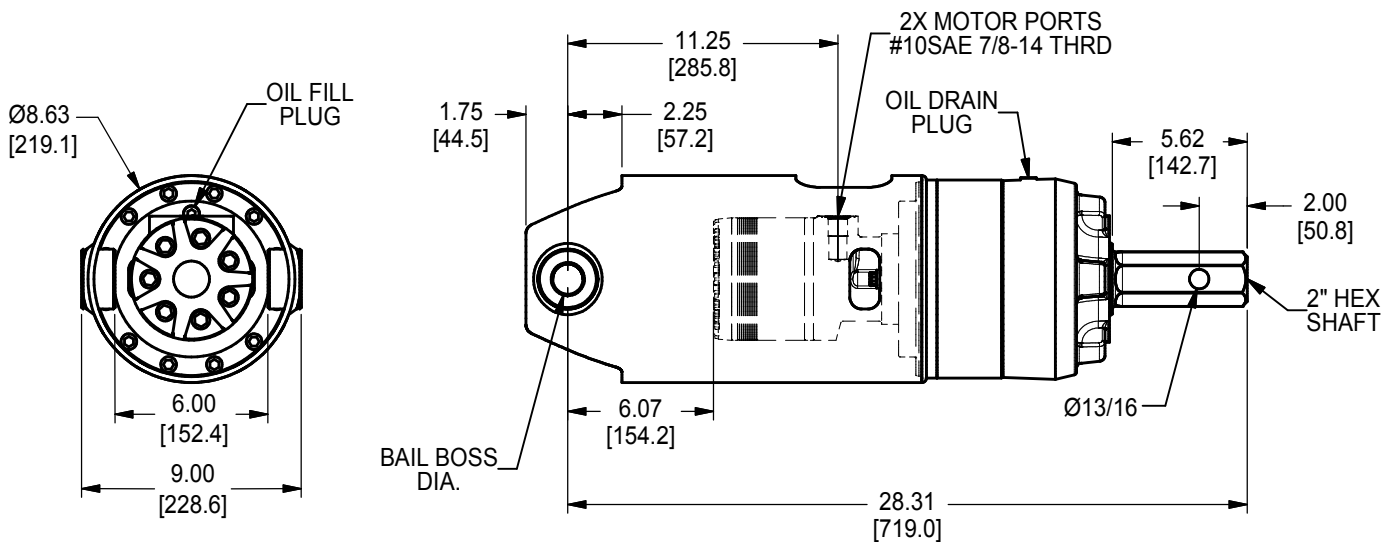
Data Sheet PSD50\_9\_13

The series D50 is heavy-duty, single-speed, planetary drive ideal for the construction digger market. Select from two available torque and speed ranges to fit your application. Eskridge has over 25 years of experience in the manufacture of DiggerDrives™.

### 5005-21F55



### 5016-21F54



For more information regarding Planetary Diggerdrives and other innovative products, feel free to contact us at:



1900 Kansas City Road • Olathe, Kansas 66061 • USA

PHONE: (913) 782-1238 • FAX: (913) 782-4206

WEBSITE: [www.eskridgeinc.com](http://www.eskridgeinc.com) • E-MAIL: [sales@eskridgeinc.com](mailto:sales@eskridgeinc.com)

# Technical Data

HEAVY DUTY, HIGH EFFICIENCY, SINGLE/DOUBLE PLANETARY DRIVE  
SHAFT SIDE LOADING NOT RECOMMENDED.

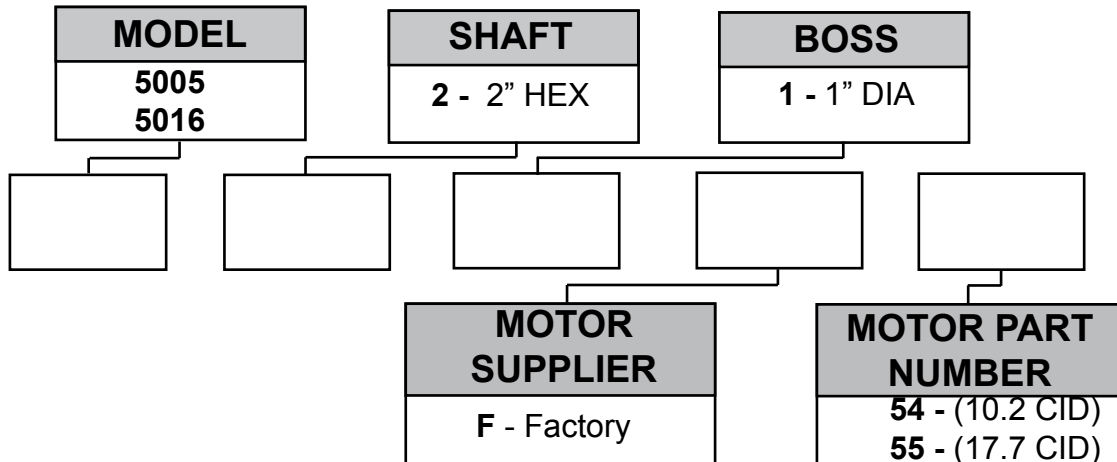
## TECHNICAL SPECIFICATIONS

MOTOR MOUNT: SAE "A" 2-BOLT  
 MOTORS: SINGLE SPEED VANE TYPE  
 RATED OUTPUT TORQUES: TO 5,000 ft-lb (6,779 N-m)  
 MAXIMUM SYSTEM PRESSURE: 3,000 psi (206,9 bar)  
 MOTOR CASE DRAIN: REQUIRED WHEN BACK PRESSURE EXCEEDS 100 PSI  
 OUTPUT SHAFT: 2" (50,8mm) HEX  
 SHAFT PULL-OUT LOAD RATING: 10,000 lb (2268 kg)  
 SHAFT PRESSURE LOAD RATING: 15,000 lb (3402 kg)  
 OIL CAPACITY: 2.5 pts (1,2 l)  
 BAIL BOSS DIAMETER: 1.02" (25,91 mm)  
 WEIGHT: 150 lb (113,4 kg) WITH MOTOR

MODEL	GEAR RATIO	MOTOR	MOTOR PRESSURE $\Delta$ psi ( $\Delta$ bar)	FLOW gpm (l/min)	RATED TORQUE*	SPEED rpm
5005	5:1	55	2,400 (166)	25 (94.6)	2,800 (3,796)	60
5016	16:1	54	2,400 (166)	25 (94.6)	5,000 (6,780)	30

\*MAXIMUM INTERMITTENT VALUE.

- STARTING TORQUES ARE APPROXIMATELY 25% LESS THAN RUNNING TORQUE.
- SYSTEM BACK PRESSURE WILL REDUCE THE RUNNING TORQUES PROPORTIONALLY.
- BACK PRESSURE SHOULD BE LIMITED TO 100 psi (6,9 bar).
- MAXIMUM FLOW RATE IS DEPENDENT UPON MOTOR DISPLACEMENTS.
- HIGH ALLOY HEAT TREATED BAIL BOSS PINS REQUIRED (CUSTOMER PROVIDED).



### IMPORTANT INFORMATION...

**ESKRIDGE, INC. EXPRESSLY DISCLAIMS ANY IMPLIED WARRANTY OF MERCHANTABILITY OR FITNESS FOR ANY PARTICULAR PURPOSE FOR THE PRODUCTS SHOWN HEREIN.**

Any claims based on or related to the products shown herein will be satisfied only by repair or replacement in Eskridge, Inc.'s sole discretion to the extent covered by Eskridge's Product Warranty. Eskridge, Inc. is not liable for incidental or consequential damage of any kind or nature that relate in any way to the products shown herein. For complete warranty information, please refer to Eskridge, Inc.'s Product Warranty that applies to the products shown herein and is incorporated by this reference as if fully set forth. A copy of Eskridge, Inc.'s Product Warranty can be obtained by writing Eskridge, Inc. at P.O. Box 875, 1900 Kansas City Road, Olathe, Kansas 66061